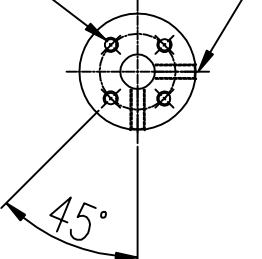


2-M5 TAP THRU'
(90°)

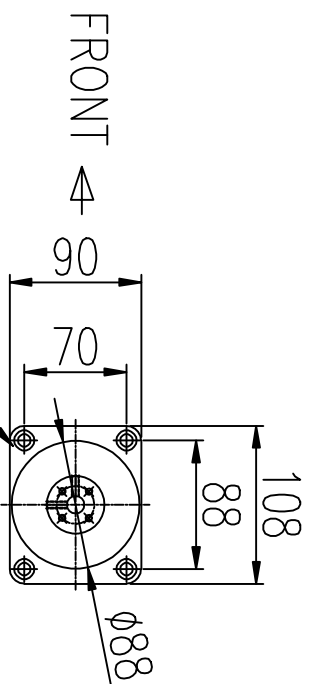
4-M5 TAP DP 15
(PCD 26)

SHANK HOLE (S=2:1)




4- $\phi 9$ HOLE
($\phi 14$ C.B DP 8)

FLANGE SIZE



APPRO BY	--	MATERIAL	--	부품	SORESS-002S
CHECK BY	--	SCALE	1/1	ASSY NAME	LAYOUT DRAWING
DRAWN BY	Design Dept.	DATE	--	DWG NO	--


 (주) 한 다 기 전
 HANWHA ENGINEERING & TECHNOLOGY CO., LTD.