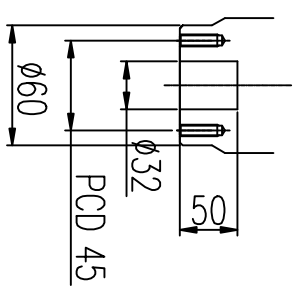
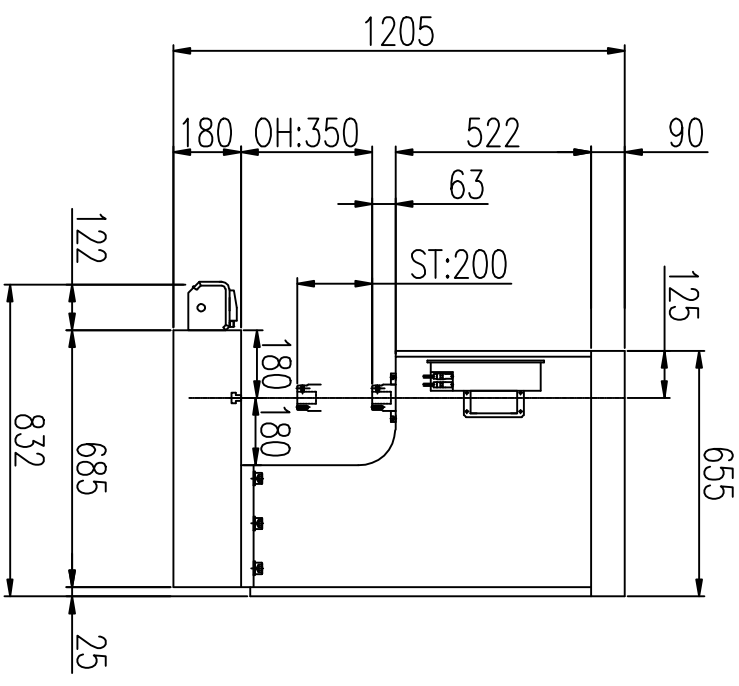
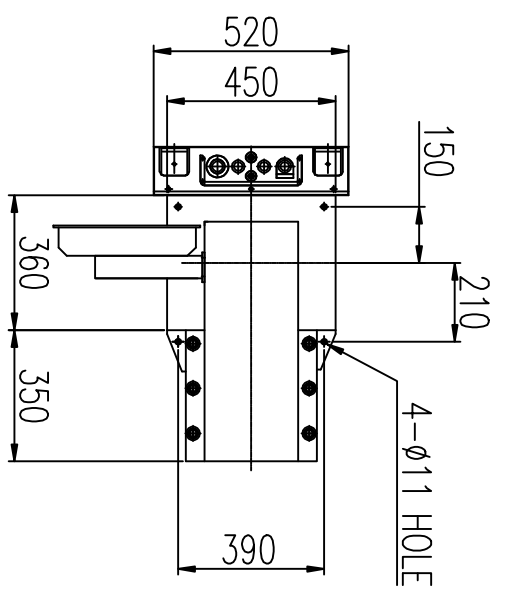
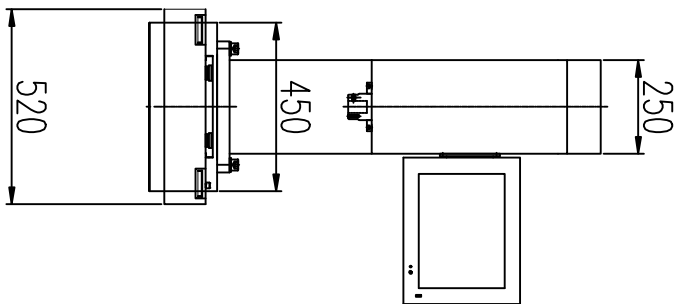


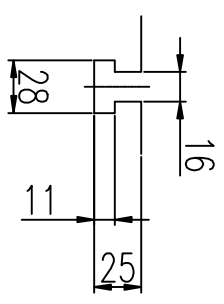
BASE



2-M8 TAP(90°)

4-M8 DP 25

SHANK HOLE



T-SLOT

APPRO BY	--	MATERIAL	--	수량	SOPRESS-0208
CHECK BY	--	SCALE	1/1	ASSY NAME	LAYOUT DRAWING
DRAWN BY	Design Dept.	DATE	--	DWG.NO	--



(주) 한화 엔지니어링 & 테크놀로지

HANWHA ENGINEERING & TECHNOLOGY CO., LTD.