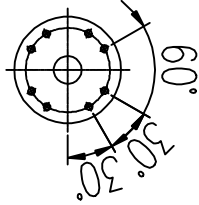
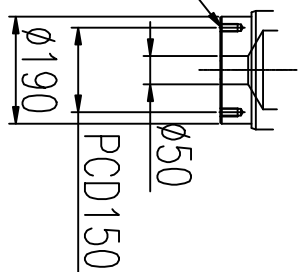
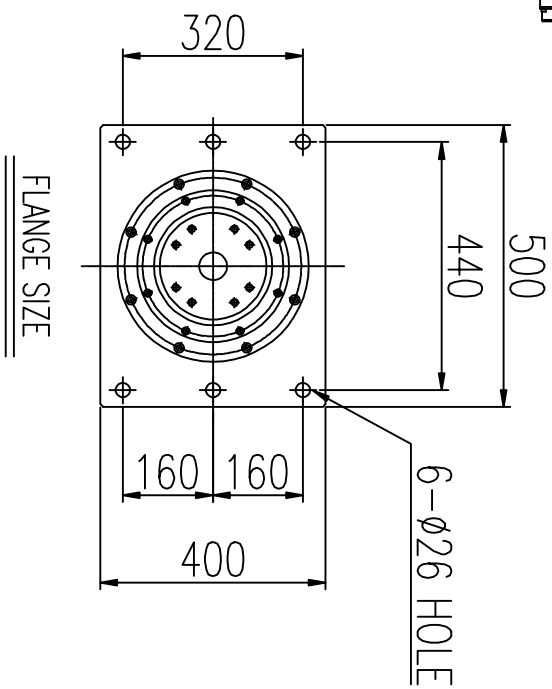


8-M14 TAP DP30



SHANK HOLE



APPRO BY	--	MATERIAL	--	수량	SOPRESS-300U
CHECK BY	--	SCALE	1/1	ASSY NAME	LAYOUT DRAWING
DRAWN BY	Design Dept.	DATE	--	DMC/NO	--

(주) 현대 기계
HYUNDAI MECHANICAL & ELECTRIC CO., LTD